

59/60

铁镀锌外螺纹直接头

Galvanized iron external thread Straight fitting

材质：铁镀锌

Material: Galvanized iron

温度：-40℃~+125℃

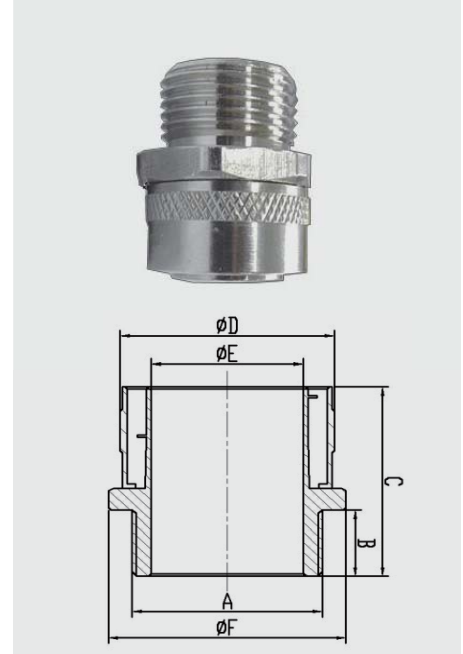
Temperature range: -40℃~ +125℃

防护等级：IP54

Protection Degree: IP54

适用软管：SC, SPC, SPLC, SBC, SSC, SPUL, RPC, SSPC

Fitting conduits: SC, SPC, SPLC, SBC, SSC, SPUL, RPC, SSPC



M 螺纹

适配软管尺寸 Fits to conduit size	型号 Part no.	螺纹 Thread	I.D	尺寸 Dimension(mm)			C	D	包装(个) Packing
				A	B				
5/16"	SPC12-M16-C	M16X1.5	8.0	23.0	18.0	7.2	22.0	50	
3/8"	SPC16-M16-C	M16X1.5	10.0	25.5	21.0	10.3	22.0	50	
3/8"	SPC16-M20-C	M20X1.5	10.0	25.5	21.0	10.3	27.0	50	
1/2"	SPC20-M20-C	M20X1.5	13.0	29.0	25.0	13.5	27.0	50	
3/4"	SPC25-M25-C	M25X1.5	12.0	36.5	29.7	18.0	35.0	50	
1"	SPC32-M32-C	M32X1.5	14.0	39.0	36.0	23.0	41.0	50	
1 1/4"	SPC40-M40-C	M40X1.5	15.0	43.0	45.0	32.0	53.0	25	
1 1/2"	SPC45-M50-C	M50X1.5	15.0	45.0	50.0	37.4	66.0	20	
2"	SPC57-M63-C	M63X1.5	20.0	57.0	61.0	47.5	74.0	10	
2 1/2"	SPC70-M70-C	M70X1.5	20.0	60.0	78.0	60.0	84.0	10	

PG 螺纹

适配软管尺寸 Fits to conduit size	型号 Part no.	螺纹 Thread	I.D	尺寸 Dimension(mm)			C	D	包装(个) Packing
				A	B				
5/16"	SPC12-PG9-C	PG9	8.0	23.0	18.0	7.2	22.0	50	
3/8"	SPC16-PG11-C	PG11	10.0	25.5	21.0	10.3	25.0	50	
1/2"	SPC20-PG16-C	PG16	13.0	29.0	25.0	13.5	28.0	50	
3/4"	SPC25-PG21-C	PG21	12.0	36.5	29.7	18.0	30.0	50	
1"	SPC32-PG29-C	PG29	14.0	39.0	36.0	23.0	38.0	50	
1 1/4"	SPC40-PG36-C	PG36	15.0	43.0	45.0	32.0	45.0	25	
1 1/2"	SPC45-PG42-C	PG42	15.0	45.0	50.0	37.4	59.0	20	
2"	SPC57-PG48-C	PG48	20.0	57.0	61.0	47.5	69.0	10	